

◆ General Specification :

Tunnel Size: 620mm×420mm
Conveyor Speed: 0.22m/s
Conveyor height : 543mm
Conveyor Max Load: 100kg
X ray Dose per inspection <0.1.25μSv
Wire Resolution: 38-40 AWG typical
Spatial resolution Level: dia1.0mm,Vertical: dia1.0mm
Penetration: 30-32mm steel
Penetration Resolution: guarantee 32AWG
Film Safety :Guarantee ASA/ISO1600 Film
X-ray Leakage: <2.0 μSv/h (at a distance of 5cm From external housing)

◆ Image Process :

Time/date display, counters, user management, system-on/X-ray-on timers, power on self test, Built-in diagnostic facilities, dual-direction scanning, system log,etc
Image Enhancement: 1-200times enlargement continuity, negative, general enhancement (9kinds of image process function)
Image Recall: All preceding images recallable, retrieval.
High Density Region Alarm: Impenetrable region alarm and highlight, for possible concealing of threats and contrabands
Threat Image Projection: Inserting fictional, but realistic images of threat items into baggage during screening operation, as well as training and assessment of image identification capability
Image Archive: Up to 500,000 images stored automatically, enable transferring to USB disk, and converting to JPG

◆ **Operating Environment:**

Operation temperature/Humidity: 0°C-40°C/10%-95%(non-condensing)
Storage Temperature/Humidity: -20°Cto 60°C/ 5%-95%(non-condensing)
Operation Power: 220VAC(±15%)50±3Hz (Optional: 100VAC,110VAC,120VAC,200VAC)
Power Consumption: 1.0KW (max), 0.7KW(working)
Noise: <65db
Dimension Size (L×W×H) :1900mm x885mm x1214 mm
X Ray Scanner N.Weight: 450Kg
G.Weight: 550KG
Packing Volume: 3.85CBM

◆ **Control Part Character:**

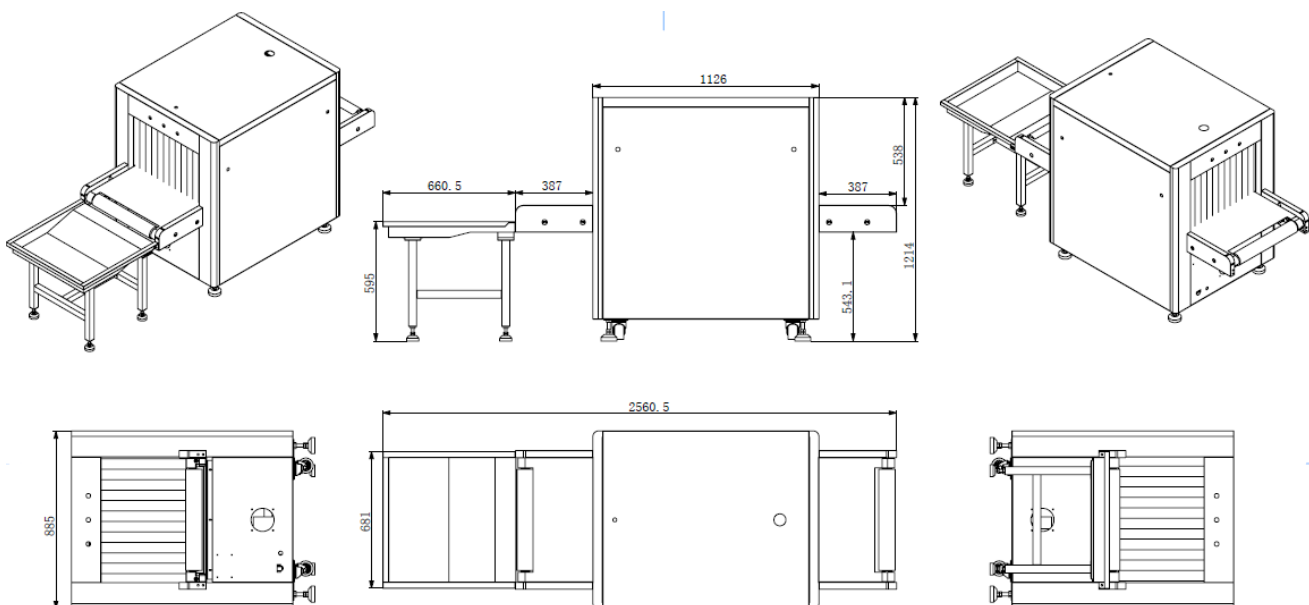
Operating System: Windows 7
Processor: Intel 3rd Gen Core i3-3120M @ 2.50GHz Dual Core
Motherboard: Intel Ivy Bridge - HM76 Express Chipset
Graphics: Intel HD Graphics 4000 (256 MB / Intel)
Memory: 2 GB (Samsung DDR3 1600MHz)
Monitor: Acer (19.9 inches) single unit
Storage space: 1TB
Network Card: Realtek RTL8168/8111/8112 Gigabit Ethernet Controller

◆ **X-ray Generator:**

Anode Voltage: 140kv
Anode power: 0.35mA
Generate angle: 80 degree upward
Brand: Made in China
Generate direct: from bottom to top
Cooling / Duty Cycle: Oil Cooling /100%

◆ **Other Characters:**

Local monitoring system: Cameras on the side of tunnel can be recorded the operating environment in real time and facilitate the traceability of items;(Optional)
Extension Rollers: customize size length (Optional)
Monitor: double units or other size (Optional)
UPS: 15mins, 30mins, 60mins etc, (Optional)



Securina Detection System Co., Limited

Tel: +86-755-29025099/Mob: +86-15914162649 E-mail: sebrina@securinadetection.com

X Ray Screening System, Under Vehicle Scanning System, Explosives and Narcotics Detection, Liquid Scanner, Walk Through Metal Detectors, Explosive Disposal Device