

◆ **Professional Keyboard:**

- With Emergency button
- Radiation display
- Three programmable key
- Touch pad for friendly operation.
- Protection: IP43

**Securina Detection System Co., Limited**

Tel: +86-755-29025099/ Mob: +86-15914162649 E-mail: [sebrina@securinadetection.com](mailto:sebrina@securinadetection.com)

X Ray Screening System, Under Vehicle Scanning System, Explosives and Narcotics Detection, Liquid Scanner, Walk Through Metal Detectors, Explosive Disposal Device

- SA150180 is multi-energy x ray security inspection system for cargo scanning. It's powerful to deal with big size luggage at 150cm width, and 180cm height. It provides high resolution and ultra-clear images for easy object identification with the latest technology of computer control and image processing.
- SA150180 can distinguish organic and inorganic materials by atomic composition of the material. SA150180 can distinguish explosives/drugs and realize Threat Image Project Function through adding different option. The operator can easily identify materials with the following coloring scheme:

Organic material--orange  
Inorganic material--blue  
Mixed material--green  
High density material--black

### ◆ General Specification :

**Tunnel Size:** 1500mm\*1800mm  
**Conveyor Speed:** 0.22m/s  
**Conveyor height :** 350mm  
**Conveyor Max Load:**2000kg  
**X ray Dose per inspection** <2.8 $\mu$ Sv  
**Wire Resolution:**38AWG Guarantee, 40 AWG typical  
**Spatial resolution Level:** dia1.3mm,Vertical: dia1.3mm  
**Penetration:** 30 mm steel guarantee,32mm steel typical  
**Penetration Resolution :**32AWG guarantee, 34AWG typical  
**Film Safety :**Guarantee ASA/ISO1600 Film  
**X-ray Leakage:** <0.1 $\mu$ Sv/h (at a distance of 5cm From external housing)  
**Conveyor running direction:** bi-direction  
**Throughput :** Typically 720 bags per hour  
**Operation console:** Two monitors 17inch  
**Mechanical construction:** steel construction with steel panels, mounted on roller castors  
**Standard color:** White  
**Extension roller for entrance and exit:** 1.5m(optional)

### ◆ Image System :

**Technical Principle:** Dual-energy X-ray Imaging;  
**X-ray Sensor:** L-Shaped Photodiode Array (multi-energetic)  
**Monitor:** High Resolution Color, LCD Accord, 17inch  
**Image Display:** High resolution of 1024 \* 1280 pixel; Image Grey Level: 65536  
**Image Enhancement:** 1-64times enlargement continuity, Color/BW, negative, high/low penetration, organic /inorganic Stripping, general enhancement, and pseudo color, etc.  
**Image Recall:** All preceding images recallable, retrieval.  
**Help detect Explosives & Narcotics:** Explosives & narcotics alarm and highlight according to atomic number7.8.9 signature  
**High Density Region Alarm:** Impenetrable region alarm and highlight, for possible concealing of threats and contrabands

**Threat Image Projection:** Inserting fictional, but realistic images of threat items into baggage during screening operation, for maintenance of vigilance, as well as training and assessment of image identification capability

**Image Archive:** Up to 50,000 images stored automatically, enable transferring to USB disk, and converting to XF、PNG、BMP、JPEG、TIFF、GIF formats

**Miscellaneous Functions :** Time/date display, counters, user management, system-on/X-ray-on timers, power on self test, built-in diagnostic facilities, dual-direction scanning, system log, system standby etc.

**Network Applications:** Multiple remote applications available based on Ethernet LAN and windows platform, such as image centralized storage and identify, recheck workstation, and network TIP, etc ( Optional) .

**Images process:** 24bit real time processing ,4colors analysis, Images displayed marked date and ID NO ,Count the number of bags ,Memory gray level:65536

### ◆ Operating Environment:

**Operation temperature/Humidity:** 0°C to +40°C/10%-95%(non-condensing)

**Storage Temperature/Humidity:** -20°Cto 60°C/ 5%-95%(non-condensing)

**Operation Power:** 220VAC(+10% ~ -15%)50±3Hz (Optional: 100VAC,110VAC,120VAC,200VAC)

**Power Consumption:** 2.0KW (max)

**Noise:** <58db

**Dimensions (L×W×H) :**2127mm\*2230mm \*2338mm

**Weight:** 3500kgs

### ◆ Computer Character:

**CASE:** IPC7132

**Power:** 250W/ATX

**Main board:** AIMB 501G2

**CPU:** G1610 2.6G

**Storage:** 2GB 1600MHz DDR3 Innodisk

**Hard Disk:** SEAGATE 500G 3.5”

### ◆ X-ray Generator:

**Anode Voltage:** 160kv adjustment

**Anode power:** 1.2mA adjustment

**Generate angle:** 80 degree downward

**Brand:** Chinese brand

**Generate direct:** from top to bottom

**Cooling / Duty Cycle:** Oil Cooling /100%

### ◆ Other Characters:

**Detect PCB board:** UK brand Sensortech

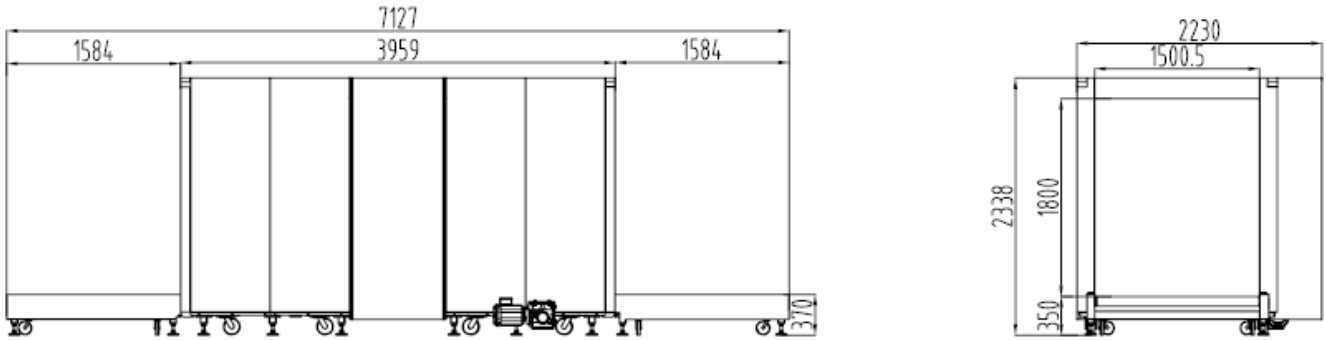
**Extension Rollers:** customize size length

Support card reader operator access

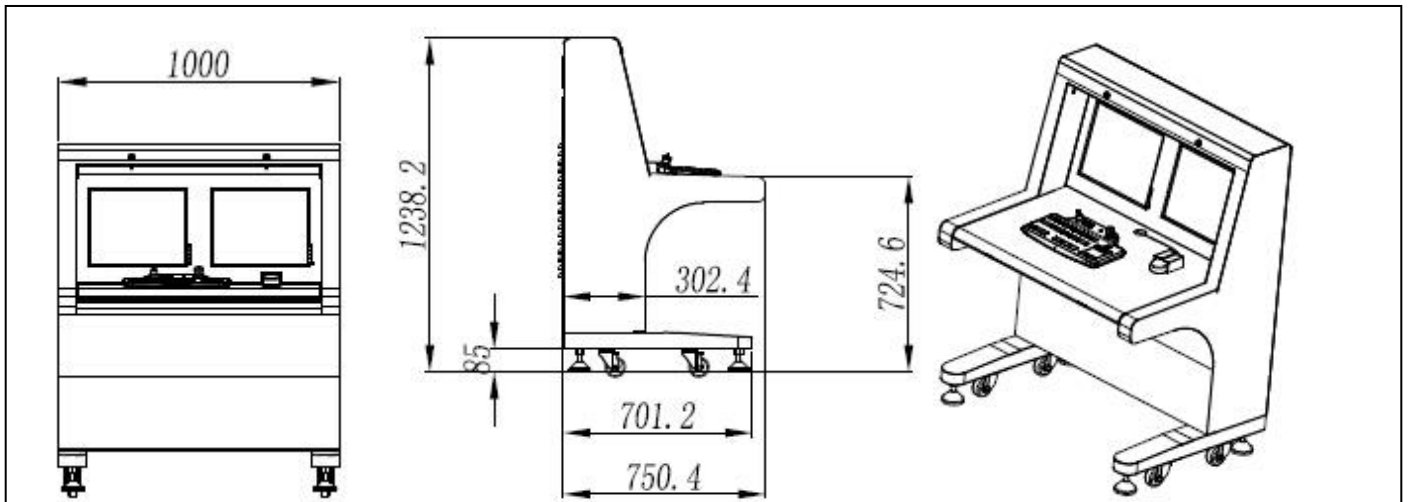
**CD DVR/RW unit:** Optional

**Computer system:** XP system

**Monitor:** 17 inch two monitors



➤ SA150180 Cargo Scanner Dimension



➤ Operation Console Dimension