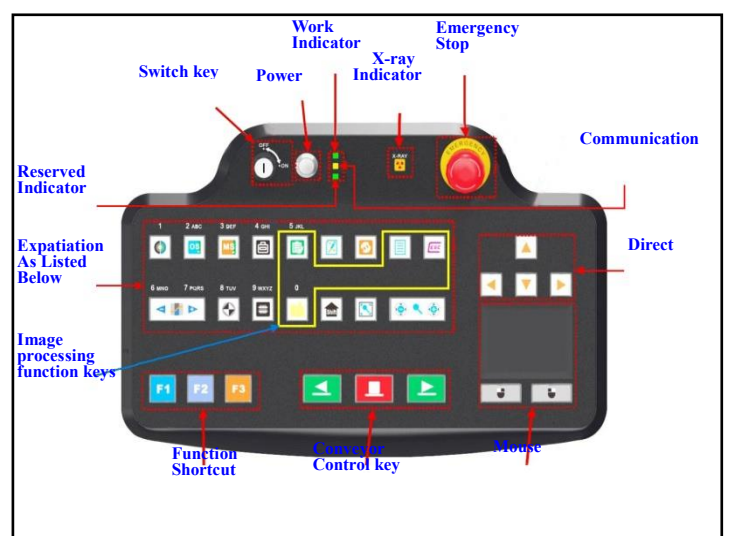




**SA100100**



**High resolution image**



**Friendly operation keyboard**

**Securina Detection System Co., Limited.**

Tel: +86-755-29025099 / Mob: +86-15914162649 E-mail: [sebrina@securinadetection.com](mailto:sebrina@securinadetection.com)

X Ray Screening System, Under Vehicle Scanning System, Explosives and Narcotics Detection, Liquid Scanner, Walk Through Metal Detectors, Explosive Disposal Device

### ◆ General Specification :

**Tunnel Size:** 1000mm×1000mm  
**Conveyor Speed:** 0.22m/s  
**Conveyor height :** 338.5mm (adjustable)  
**Conveyor Max Load:**200kg  
**X ray Dose per inspection** <1.8μSv  
**Wire Resolution:**38AWG Guarantee, 40 AWG typical  
**Spatial resolution Level:** dia1.3mm,Vertical: dia1.3mm  
**Penetration:** 30 mm steel guarantee, 32mm steel typical  
**Penetration Resolution :**30AWG guarantee, 32AWG typical  
**Film Safety :**Guarantee ASA/ISO1600 Film  
**X-ray Leakage:** <0.45 μSv/h (at a distance of 5cm From external housing)

### ◆ Image System :

**Technical Principle:** Dual-energy X-ray Imaging; L Shaped Array,  
**X-ray Sensor:** L-Shaped Photodiode Array (**multi-energetic**)  
**Monitor:** High Resolution Color, LCD Accord, 17inch  
**Image Display:** High resolution of 1024 \* 1280 pixel; Image Grey Level: 65536  
**Image Enhancement:** 1-64times enlargement continuity, Color/BW, negative, high/low penetration, organic /inorganic Stripping, general enhancement, and pseudo color, etc.  
**Image Recall:** All preceding images recallable, retrieval.  
**Explosives & Narcotics Detection:** Explosives & narcotics alarm and highlight according to atomic number signature  
**High Density Region Alarm:** Impenetrable region alarm and highlight, for possible concealing of threats and contrabands  
**Threat Image Projection:** Inserting fictional, but realistic images of threat items into baggage during screening operation, for maintenance of vigilance, as well as training and assessment of image identification capability  
**Image Archive:** Up to 100,000 images stored automatically, enable transferring to USB disk, and converting to JPG, BMP and other general formats  
**Miscellaneous Functions :** Time/date display, counters, user management, system-on/X-ray-on timers, power on self test, built-in diagnostic facilities, dual-direction scanning, system log, system standby and stimulant training, ADS etc.  
**Network Applications:** Multiple remote applications available based on Ethernet LAN and windows platform, such as image centralized storage and identify, recheck workstation, and network TIP, etc ( Optional) .  
**Images process:** 24bit real time processing ,4colors analysis, Images displayed marked date and ID NO ,Count the number of bags ,Memory gray level:65536

**◆ Operating Environment:**

**Operation temperature/Humidity:** 5°C ~ +40°C/10%-90%(non-condensing)  
**Storage Temperature/Humidity:** -40°C to 60°C/ 5%-95%(non-condensing)  
**Operation Power:** 220VAC(+10% ~ -15% 50±3Hz (Optional: 100VAC,110VAC,120VAC,200VAC)  
**Power Consumption:** 1.3KW (max), 1KW(working)  
**Noise:** <58db  
**Dimensions (L×W×H) :**3638.5mm x1295mm x1916.5 mm  
**Device Weight:** 900Kg  
**G. Weight:** 1370Kg  
**Packing Volume:** 10.63CBM

**◆ Computer Character:**

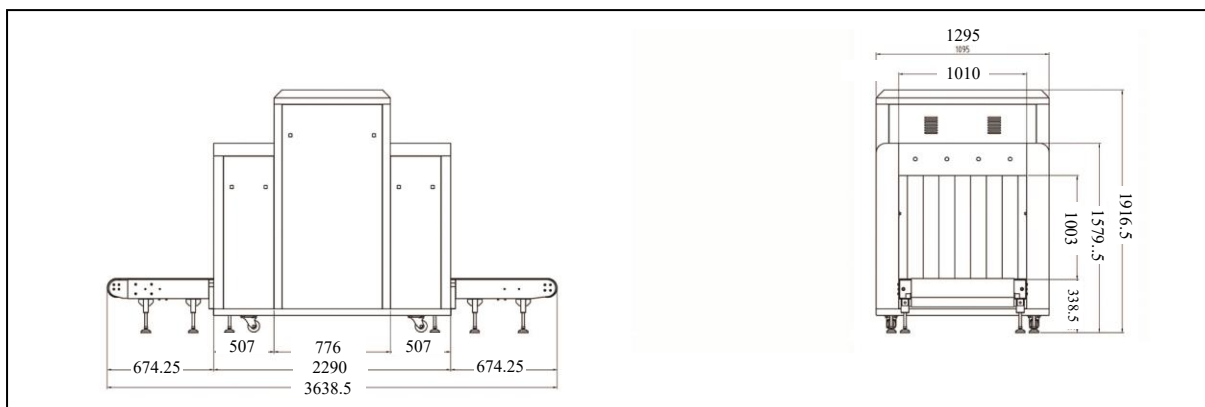
**CASE:** IPC7132  
**Power:** 250W/ATX  
**Main board:** AIMB 501G2  
**CPU:** G1610 2.6G  
**Storage:** 2GB 1600MHz DDR3 Innodisk  
**Hard Disk:** SEAGATE 500G 3.5”

**◆ X-ray Generator:**

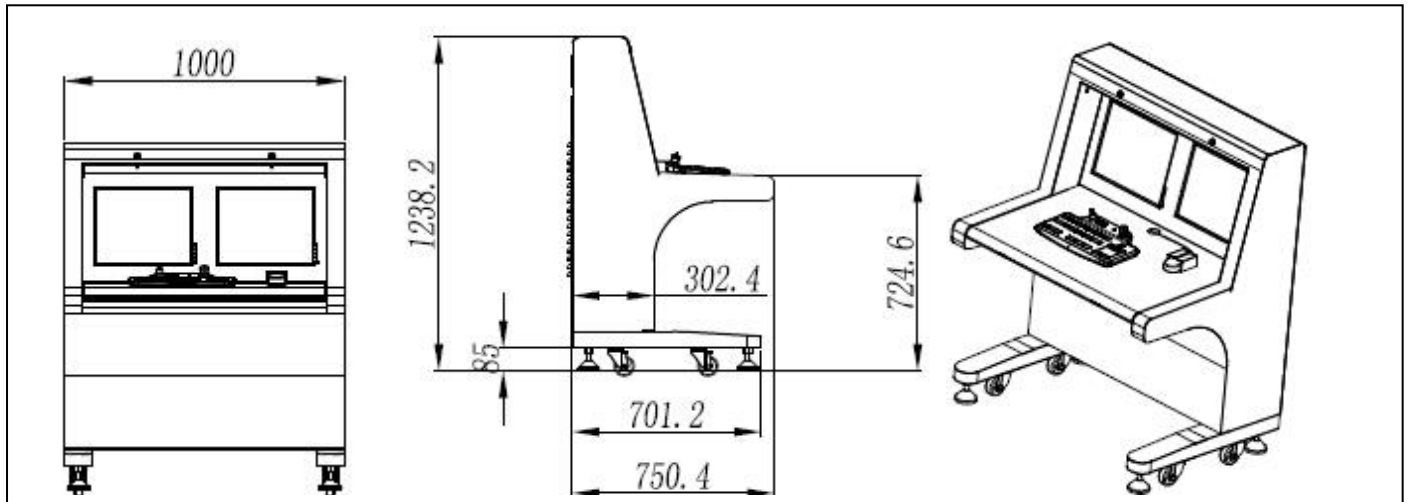
**Anode Voltage:** 140-160KV(Adjustable)  
**Anode power:** 0.2-1.2mA  
**Generate angle:** 80 degree  
**Brand:** Chinese Brand  
**Generate direct:** from top to bottom  
**Cooling / Duty Cycle:** Oil Cooling /100%

**◆ Other Characters:**

**Detect PCB board:** UK brand Sensortech  
**Extension Rollers:** customize size length  
Support card reader operator access  
**CD DVR/RW unit:** Optional  
**Computer system:** XP system  
**Monitor:** 17inch double units



**\*SA100100 Scanner Dimension**



**\*SA100100 Operation Console Dimension**