

Simplified Design (remove operation console)

Friendly operation keyboard

Securina Detection System Co., Limited.
Tel: +86-159-1416-2649 E-mail: sebrina@securinadetection.com

X Ray Screening System, Under Vehicle Scanning System, Explosives and Narcotics Detection, Liquid Scanner, Walk Through Metal Detectors, Explosive Disposal Device

◆ General Specification :

Tunnel Size: 600mm×400mm

Conveyor Speed: 0.22m/s

Conveyor height : 680.5mm

Conveyor Max Load:160kg

X ray Dose per inspection <1.25μSv

Wire Resolution:38AWG guarantee, 40AWG typical

Spatial resolution: Level: dia1.0mm,Vertical: dia1.0mm

Penetration: 30 mm steel guarantee, 32mm steel typical

Penetration Resolution: 32AWG, the wire visible below 15.9mm thick aluminum

Film Safety :guarantee ASA/ISO1600 Film

X-ray Leakage: <0.5 μSv/h (at a distance of 5cm From external housing)

◆ Image System :

Technical Principle: Dual-energy X-ray Imaging; L Shaped Array,

X-ray Sensor: L-Shaped Photodiode Array (**multi-energetic**)

Monitor: High Resolution Color, LCD Accord, 17inch

Image Display: High resolution of 1024 * 1280 pixel; Image Grey Level: 65536

Image Enhancement: 1-64times enlargement continuity, Color/BW, negative, high/low penetration, organic /inorganic Stripping, general enhancement, and pseudo color, etc.

Image Recall: All preceding images recallable, retrieval.

Explosives & Narcotics Detection: Explosives & narcotics alarm and highlight according to atomic number signature

High Density Region Alarm: Impenetrable region alarm and highlight, for possible concealing of threats and contrabands

Threat Image Projection: Inserting fictional, but realistic images of threat items into baggage during screening operation, for maintenance of vigilance, as well as training and assessment of image identification capability

Image Archive: Up to 100,000 images stored automatically, enable transferring to USB disk, and converting to JPG, BMP and other general formats

Miscellaneous Functions : Time/date display, counters, user management, system-on/X-ray-on timers, power on self test, built-in diagnostic facilities, dual-direction scanning, system log, system standby and stimulant training, ADS etc.

Network Applications: Multiple remote applications available based on Ethernet LAN and windows platform, such as image centralized storage and identify, recheck workstation, and network TIP, etc (Optional) .

Images process: 24bit real time processing ,4colors analysis, Images displayed marked date and ID NO ,Count the number of bags ,Memory gray level:65536

◆ **Operating Environment:**

Operation temperature/Humidity: 0°C-40°C/10%-95%(non-condensing)
Storage Temperature/Humidity: -20°Cto 60°C/ 5%-95%(non-condensing)
Operation Power: 220VAC(±10%)50±3Hz (Optional: 100VAC,110VAC,120VAC,200VAC)
Power Consumption: 1.0KW (max), 0.7KW(working)
Noise: <58db
Dimension Size
Dimensions (L×W×H) :2007mm x 844mm x1234 mm
Device Weight: 455Kg
G.Weight: 600Kg
Packing Volume: 4.5CBM

◆ **Computer Character:**

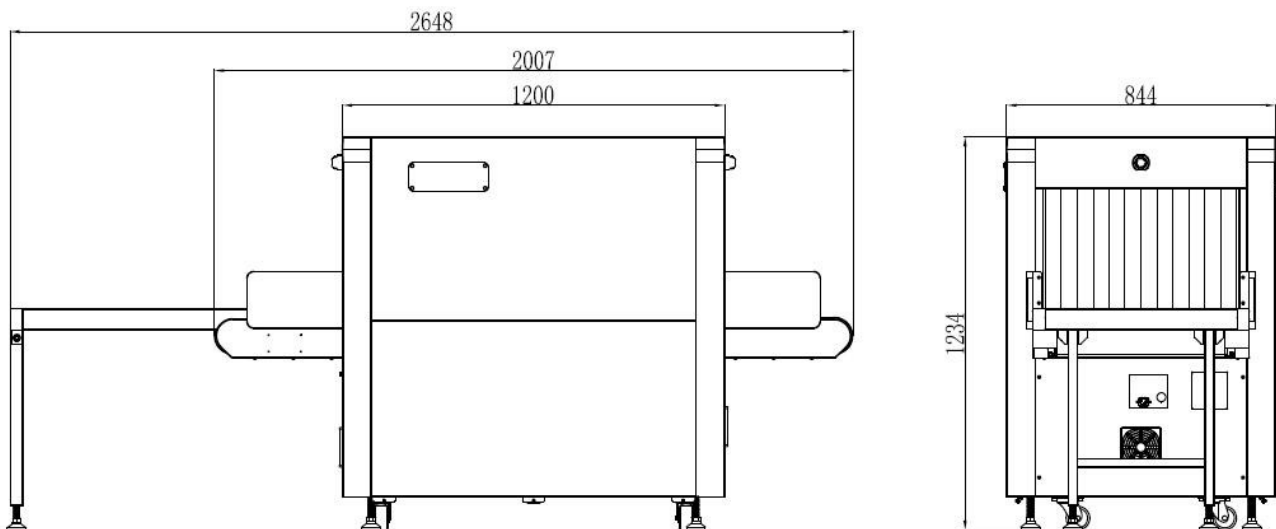
CASE: IPC7132
Power: 250W/ATX
Main board: AIMB 501G2
CPU: G1610 2.6G
Storage: 2GB 1600MHz DDR3 Innodisk
Hard Disk: SEAGATE 500G 3.5”

◆ **X-ray Generator:**

Anode Voltage: 140kv
Anode power: 0.3mA
Generate angle: 80 degree upward
Brand: Chinese Brand
Generate direct: from bottom to top
Cooling / Duty Cycle: Oil Cooling /100%

◆ **Other Characters:**

Detect PCB board: UK brand Sensortech
Extension Rollers: customize size length
Support card reader operator access
CD DVR/RW unit: Optional
Computer system: XP system
Console optional: 17 inch one or two monitor



Securina Detection System Co., Limited.

Tel: +86-159-1416-2649 E-mail: sebrina@securinadetection.com

X Ray Screening System, Under Vehicle Scanning System, Explosives and Narcotics Detection,
Liquid Scanner, Walk Through Metal Detectors, Explosive Disposal Device